



AMTC IP Coverage

PVR Used in Digital Cable System
(VOD)
Compared to
Yurt '992 Claim 47

This document is the property of Acacia Technologies Group.

Patent 5,132,992 Claim 47:

47. A distribution system including a transmission system and a plurality of receiving systems at remote locations, the transmission system being responsive to requests identifying items containing information to be sent from the transmission system to the receiving systems at the remote locations, the distribution system comprising:

storage means in the transmission system for storing information from the items in a compressed data form, in which the information includes an identification code and is placed into ordered data blocks;

requesting means in the transmission system, coupled to the storage means, for receiving requests from a user for at least a part of the stored information to be transmitted to the receiving system at one of the remote locations selected by the user;

transmission means in the transmission system, coupled to the requesting means, for sending at least a portion of the stored information to the receiving system at the selected remote location;

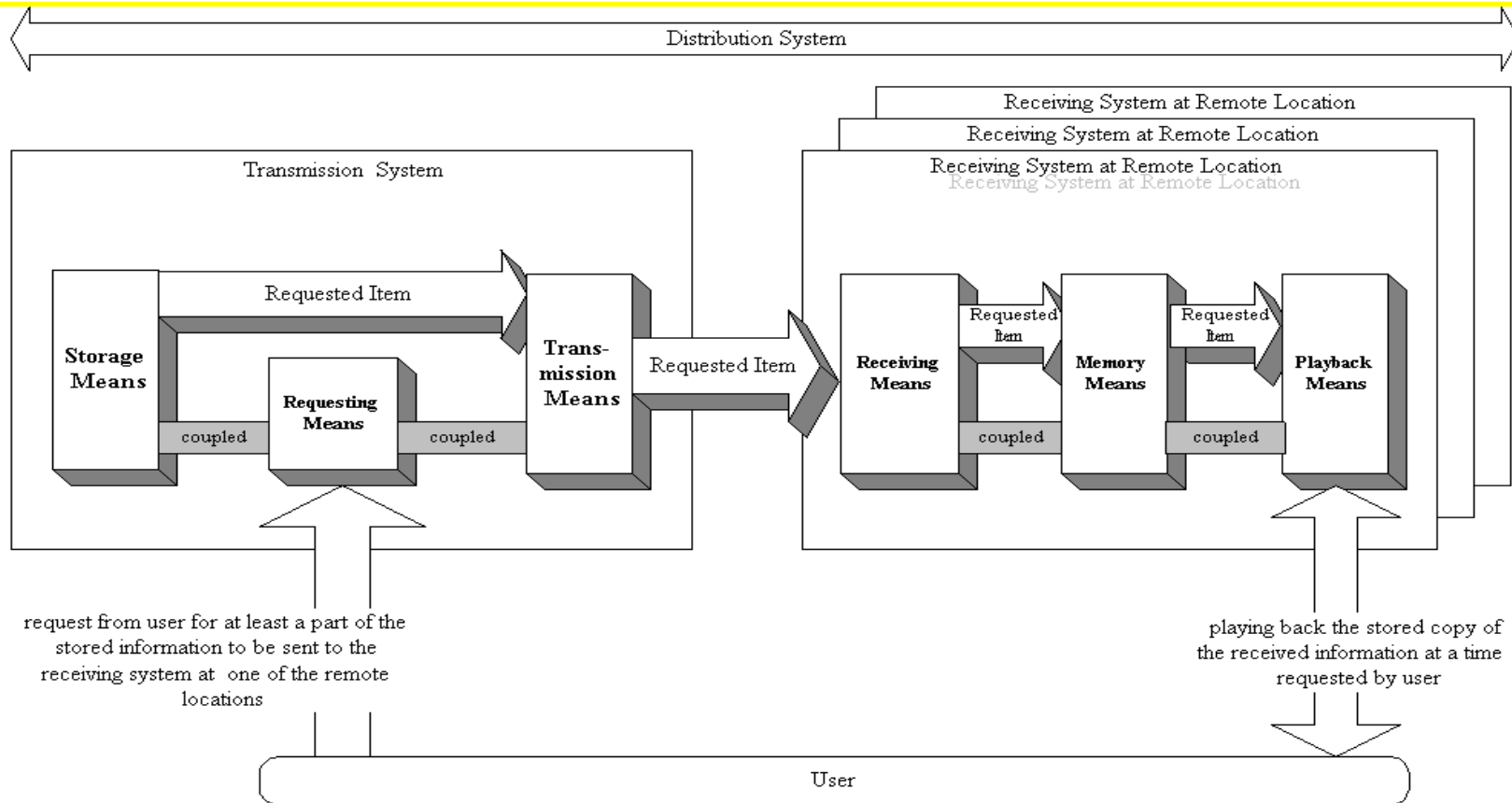
receiving means in the receiving system for receiving the transmitted information;

memory means in the receiving system, coupled to the receiving means, for storing a complete copy of the received information; and

playback means in the receiving system, coupled to the memory means, for playing back the stored copy of the received information at a time requested by the user.

PVR Used in Digital Cable Television System Compared to the '992 Patent Claim 47:

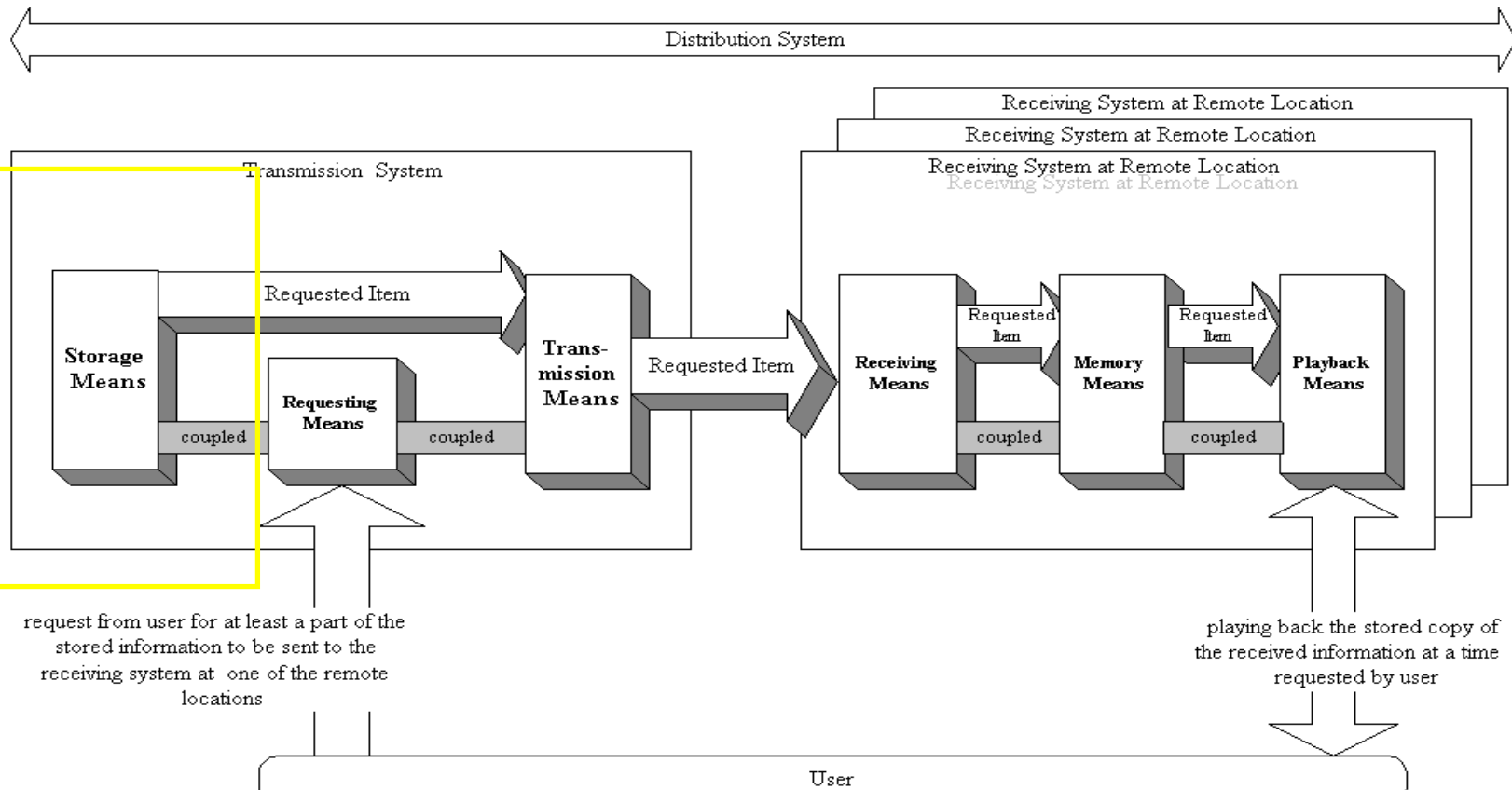
A distribution system including a transmission system and a plurality of receiving systems at remote locations, the transmission system being responsive to requests identifying items containing information to be sent from the transmission system to the receiving systems at the remote locations, the distribution system comprising:



A digital cable system distributes media (e.g., movies) to subscribers at remote locations. In a video on demand system, the user requests a movie to be transmitted.

PVR Used in Digital Cable Television System Compared to the '992 Patent Claim 47:

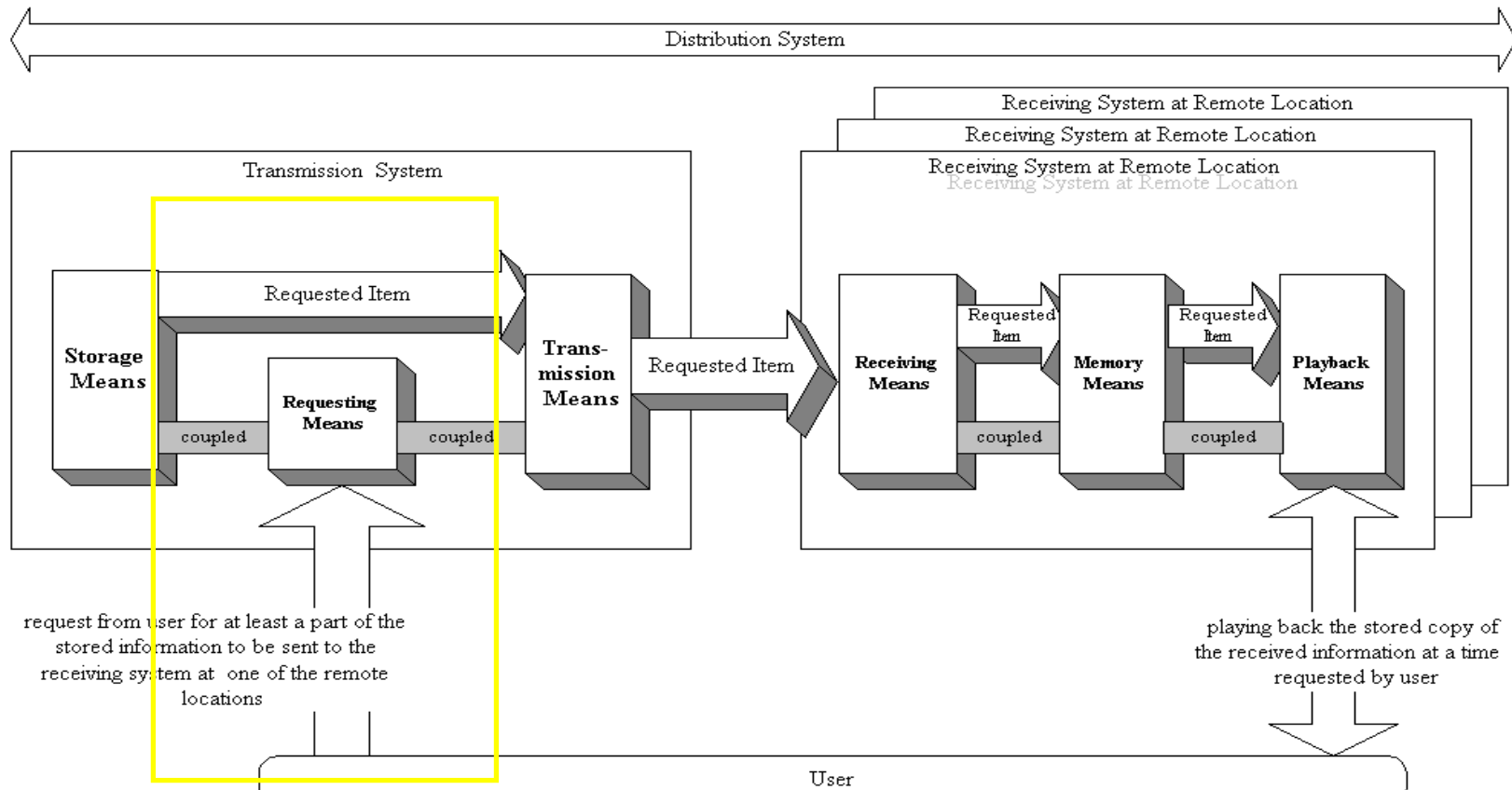
storage means in the transmission system for storing information from the items in a compressed data form, in which the information includes an identification code and is placed into ordered data blocks;



MPEG video encoders organize frames into ordered data blocks (e.g., sequences of frames). The encoders compress the video which is stored as files with unique file names. These files are stored on a server in the digital cable system. This is an example of a storage means.

PVR Used in Digital Cable Television System Compared to the '992 Patent Claim 47:

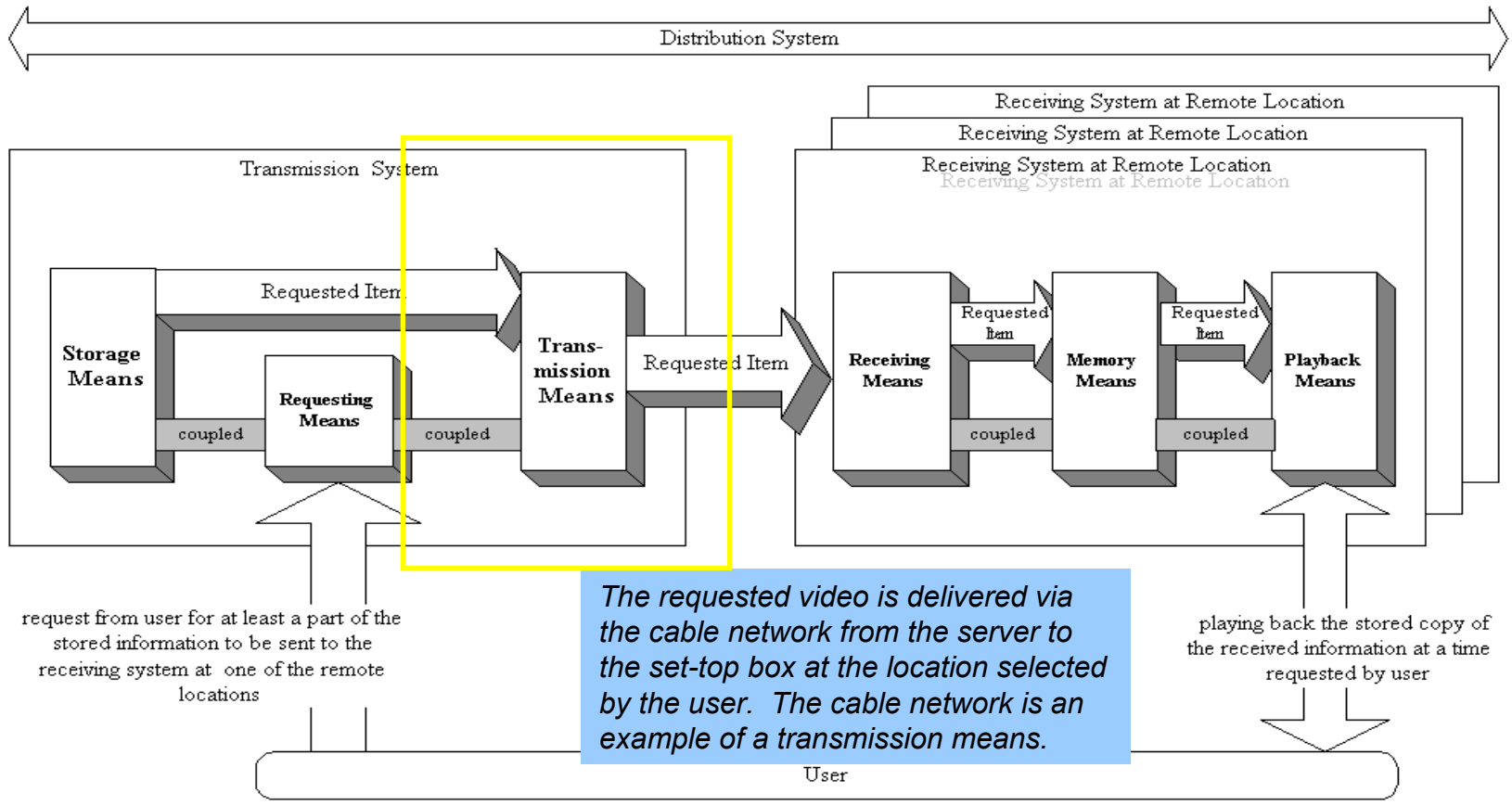
requesting means in the transmission system, coupled to the storage means, for receiving requests from a user for at least a part of the stored information to be transmitted to the receiving system at one of the remote locations selected by the user;



The user is provided with an interface to select and request one or more of the stored videos to be transmitted to a set-top box or other PVR capable device at the user selected location. The request is received by a server at the transmission system. The server is an example of a requesting means.

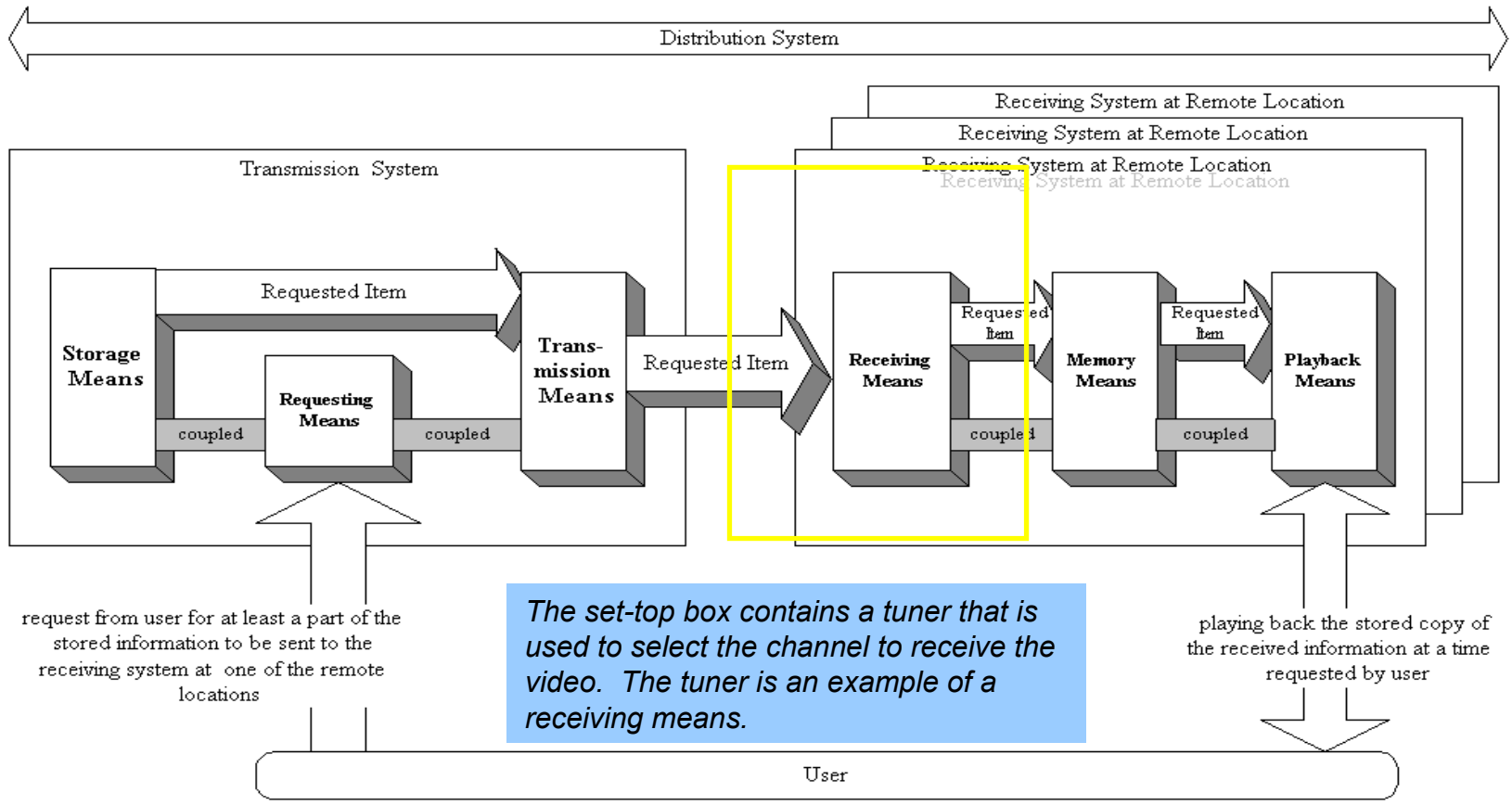
PVR Used in Digital Cable Television System Compared to the '992 Patent Claim 47:

transmission means in the transmission system, coupled to the requesting means, for sending at least a portion of the stored information to the receiving system at the selected remote location



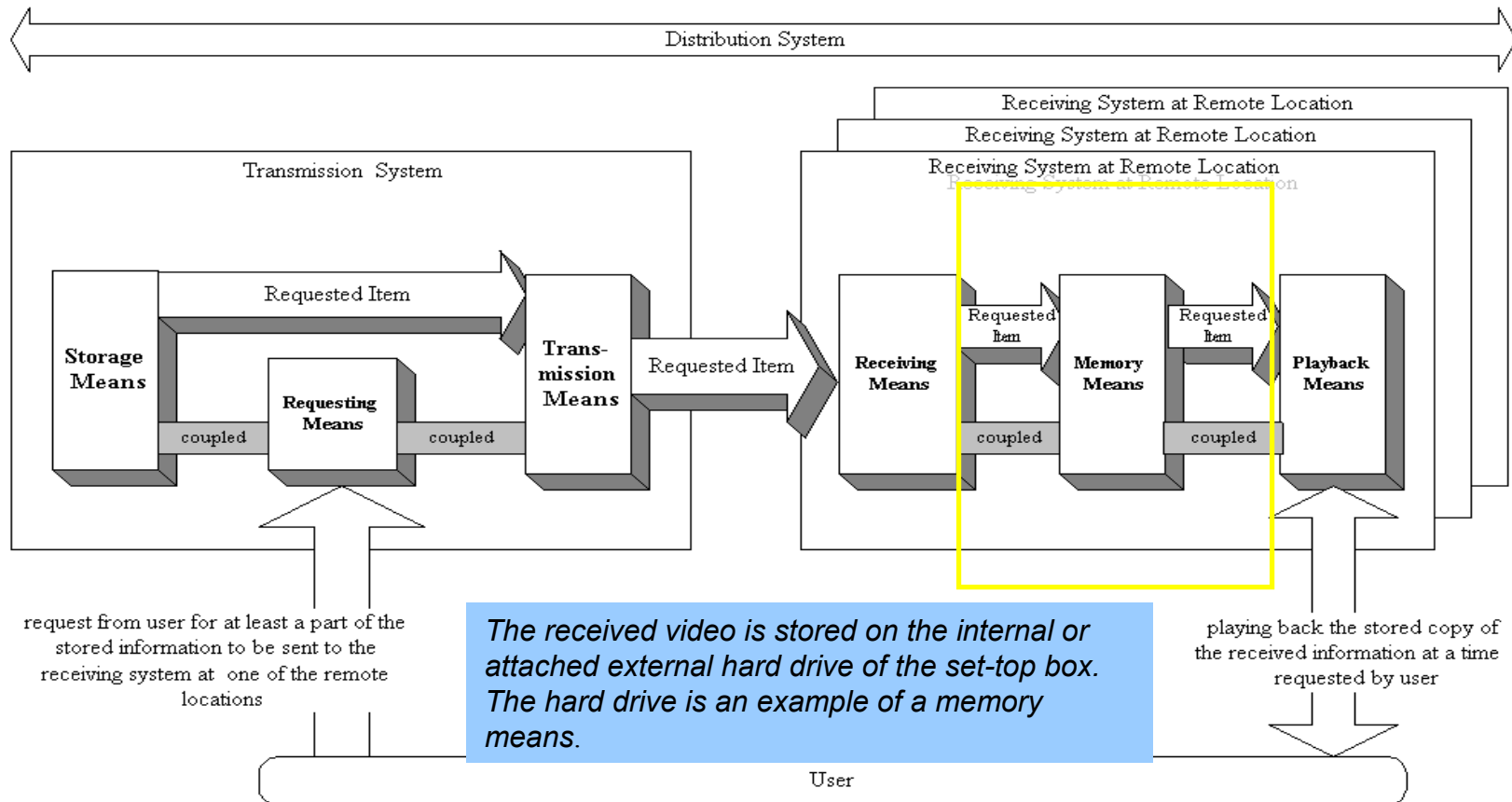
PVR Used in Digital Cable Television System Compared to the '992 Patent Claim 47:

receiving means in the receiving system for receiving the transmitted information;



PVR Used in Digital Cable Television System Compared to the '992 Patent Claim 47:

memory means in the receiving system, coupled to the receiving means, for storing a complete copy of the received information; and



PVR Used in Digital Cable Television System Compared to the '992 Patent Claim 47:

playback means in the receiving system, coupled to the memory means, for playing back the stored copy of the received information at a time requested by the user.

